



# Defender™ 3000 Series

Economy line of Indicators, Bases and Bench Scales



## *Designed with affordability in mind, but with no compromise on quality!*

The OHAUS Defender™ 3000 Series economy line of dry or wet-use indicators, bases and bench scales is ideal for general weighing and simple counting applications in production, packaging, warehouse, inventory, shipping and receiving areas. Used in both bench and floor scale configurations, they feature a simple yet rugged tubular-frame base design and indicators with positive feedback keys, high-contrast backlit LCD display, built-in rechargeable battery operation and flexible mounting capabilities. The OHAUS Defender 3000 Series is the solution to your weighing applications that require dependability within an affordable budget.

### **Standard Features Include:**

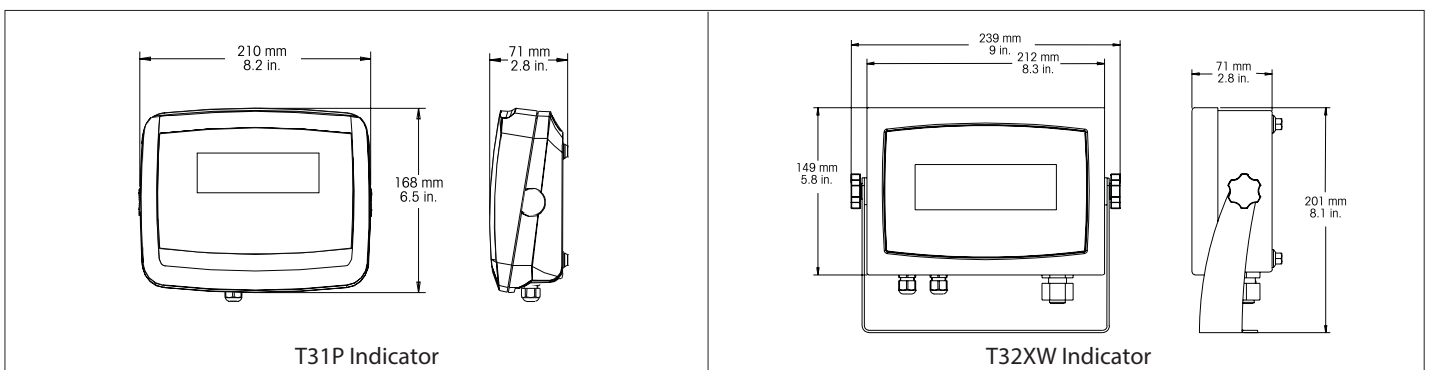
- Two rugged indicator models:
  - T31P indicator features a high-impact ABS housing that is reversible for either wall, column or table-top mounting
  - T32XW indicator features a 304 stainless steel housing with IP65 dust-tight and washdown protection; it features a flip-down front cover and only 4 sealing screws for ease of servicing
- Two base versions in three sizes:
  - 304 stainless steel pan with painted carbon steel frame and aluminum IP67 load cell
  - 304 stainless steel pan, frame and IP67 load cell
- Four scale capacity models: 15 kg, 30 kg, 60 kg, 150 kg, 300 kg
- Scales with maximum displayed resolutions 1:6000-7500d, Type-approved 1:3000e
- Built-in RS232 bidirectional interface, for printing and data communications
- Internal rechargeable sealed lead-acid battery included

# Defender™ 3000 Indicators, Bases and Bench Scales

## Indicator Specifications

Models:	T31P	T32XW
Construction	ABS plastic with internal reinforcing ribs Reversible front-rear cover with 4 key-hole mounts in rear housing	304 stainless steel NEMA 4X / IP65 PCB enclosure 304 stainless steel wall mount bracket with adjustment knobs
Housing Dimensions (W x D x H)	210 x 71 x 168 mm	212 x 71 x 149 mm
Full Scale Capacity Range	5 to 20,000 kg / lb	
Max Displayed / Approval Resolution	1:20,000d / 1:6000e	
Weighing Units	kg, lb, g, oz, lb:oz	
Extra Functions/Modes	Parts Counting	
Minimum Average Piece Weight	1d	
Sample Size	5, 10, 20, 50, 100, 200 (user selectable)	
Weight Display	25mm/1" High, 6-digit, 7-segment LCD with high-contrast white LED backlight	
Keyboard	4 function mechanical switches, raised, tactile	4 function membrane switches, raised, tactile
Load Cell Drive	up to 4 x 350 ohm Load Cells	
Load Cell Excitation Voltage	5V DC	
Load Cell Input Sensitivity	up to 3 mV/V (min 1 µV/d)	
Stabilization Time	within 2 seconds	
Auto-Zero Tracking	Off, 0.5, 1 or 3 divisions	
Key Zeroing Range	2% or 100% of capacity	
Span Calibration	5 kg/lb to 100% of capacity	
Interface	Bi-directional RS232C	
Power	9 VDC, 0.5A, AC adapter	100-240 VAC / 50/60 Hz universal power supply, hardwire cord
Battery	Internal rechargeable sealed lead acid battery, 100-hour typical operation with full charge	Internal rechargeable sealed lead acid battery, 58-hour typical operation with full charge
Operating Temperature Range	-10°C to 40°C	
Humidity Range	80% for temperatures up to 31°C, decreasing linearly to 50% at 40°C, non-condensing	
Net Weight	1.6 kg	3.2 kg
Shipping Weight	2.6 kg	4.4 kg
Shipping Dimensions (W x D x H)	272 x 235 x 175 mm	271 x 234 x 182 mm
Other Features	Environmental filtering, geographical gravity adjustment	

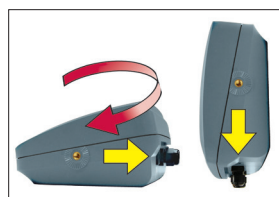
## Outline Dimensions, Indicators



T31P Indicator shown with optional wall mount bracket



T32XW Indicator shown with included wall mount bracket



Reversible cover for cable exit above or below the housing, T31P



Structural ribs minimize flexing and gives strength to the housing, T31P



Integrated key-hole mounts for wall mounting without brackets, T31P

## Base Specifications

Base Models:	D15BR	D30BR	D60BR	D60BL	D150BL	D150BX	D300BX
Construction	304 stainless steel pan, painted carbon steel tubular frame, non-slip rubber leveling feet						
Net Weight	9 kg		16 kg		28 kg		
Shipping Weight	11 kg		19 kg		32 kg		
Load Cell Protection/Class	IP67, aluminum, single point / C3						
Base Models:	D15VR	D30VR	D60VR	D60VL	D150VL	D150VX	D300VX
Construction	304 stainless steel pan and frame, non-slip rubber leveling feet						
Net Weight	9 kg		18 kg		21 kg		33 kg
Shipping Weight	11 kg		21 kg		24 kg		37 kg
Load Cell Protection/Class	IP67, stainless steel, single point / C3						
Capacity (max) x Readability (d)	15 kg x 2 g	30 kg x 5 g	60 kg x 10 g	60 kg x 10 g	150 kg x 20 g	150 kg x 20 g	300 kg x 50 g
Maximum Resolution	1:7500	1:6000		1:7500		1:6000	
Capacity (max) x Approvable Readability (e)	15 kg x 5 g	30 kg x 10 g	60 kg x 20 g	60 kg x 20 g	150 kg x 50 g	150 kg x 50 g	300 kg x 100 g
Approval Resolution (n max)	1:3000						
Load Cell Capacity	30 kg	50 kg	100 kg		300 kg		500 kg
Load Cell Cable	2m L x 6-wire			2.3m L x 6-wire			
Load Cell Rated Output	2 mV/V $\pm$ 10%						
Load Cell Excitation Voltage	Maximum 20V (AC/DC) / Recommended 5~15V (AC/DC)						
Load Cell Input / Output Resistance	410 $\pm$ 10 ohms / 350 $\pm$ 4 ohms						
Leveling Components	Externally visible level bubble and adjustable leveling feet						
Operating Temperature	-10°C to 40°C						
Safe Overload Capacity	125% of rated scale capacity						
Base Dimensions (A x B x C x D x E)	355 x 305 x 123 x 75 x 380 mm			550 x 420 x 136 x 80 x 575 mm		650 x 500 x 143 x 90 x 675 mm	
Shipping Dimensions (W x D x H)	642 x 497 x 212 mm			857 x 564 x 225 mm		1,022 x 687 x 247 mm	

## Options and Accessories

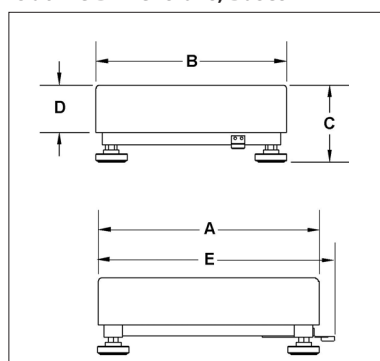
## Ohaus Number

Wall mount bracket kit (includes adjustment knobs), T31P, painted carbon steel .....	80251747
Wall mount bracket kit (includes adjustment knobs), T32XW, stainless steel .....	80251748
Column Kits, painted steel: fixed height .....	80251743 (35cm) / 80251744 (70cm)
Column Kits, stainless steel: fixed height .....	80251745 (35cm) / 80251746 (70cm)

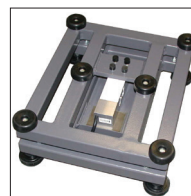
## Approvals

- **Safety and EMC:** EN60950, EN61326, FCC, CE.
- **Type Approval/Legal-for-Trade:**
  - T31xx/T32XW Series Indicator: EC Type approval and Test Certificate: TC7085 / T5980
  - Base/Load Cell: OIML R60/2000-NL1-03.10 / TC5382; OIML R60/2000-NL1-03.14 / TC5367
- **Quality:** Ohaus quality management system registered to ISO 9001:2008

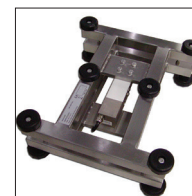
## Outline Dimensions, Bases



Three base sizes



Painted steel version  
'R' size



Stainless steel version  
'R' size

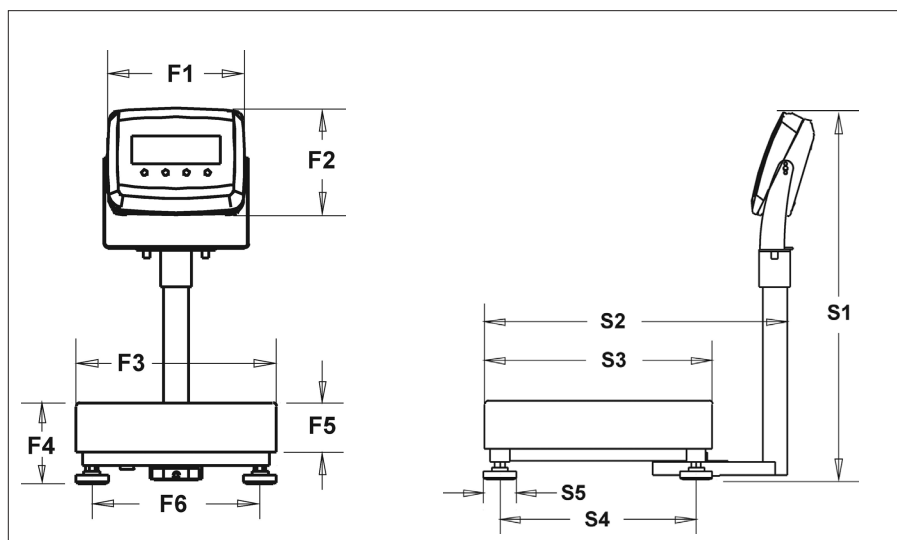
Angular tubular frame design without compromise on durability

# Defender™ 3000 Bench Scales

Models:*	D31P15BR	D31P30BR	D31P60BR	D31P60BL	D31P150BL	D31P150BX	D31P300BX
Indicator Unit	T31P (wall mount bracket included with scale)						
Base Unit	D15BR	D30BR	D60BR	D60BL	D150BL	D150BX	D300BX
Column	350 mm fixed height, painted steel			700 mm fixed height, painted steel			
Net Weight	12 kg			19 kg		32 kg	
Shipping Weight	15 kg			23 kg		37 kg / 82	
Scale Models:*	D32XW15BR	D32XW30BR	D32XW60BR	D32XW60BL	D32XW150BL	D32XW150BX	D32XW300BX
Indicator Unit	T32XW						
Base Unit	D15BR	D30BR	D60BR	D60BL	D150BL	D150BX	D300BX
Column	350 mm fixed height, stainless steel			700 mm fixed height, stainless steel			
Net Weight	15 kg			23 kg		33 kg	
Shipping Weight	18 kg			26 kg		38 kg	
Scale Models:*	D32XW15VR	D32XW30VR	D32XW60VR	D32XW60VL	D32XW150VL	D32XW150VX	D32XW300VX
Indicator Unit	T32XW						
Base Unit	D15VR	D30VR	D60VR	D60VL	D150VL	D150VX	D300VX
Column	350 mm fixed height, stainless steel			700 mm fixed height, stainless steel			
Net Weight	15 kg			24 kg		38 kg	
Shipping Weight	19 kg			28 kg		44 kg	
Capacity (max) x Enhanced Readability (d)	15kg x 5g	30kg x 5g	60kg x 10g	60kg x 10g	150kg x 20g	150kg x 50g	300kg x 50g
Max Displayed Resolution	1:7500	1:6000			1:7500		1:6000
Capacity (max) x Approvable Readability (e)	15kg x 2g	30kg x 10g	60kg x 20g	60kg x 20g	150kg x 50g	150kg x 50g	300kg x 100g
Approval Resolution	1:3000	1:3000	1:3000	1:3000	1:3000	1:3000	1:3000
Front View Dimensions (F1 x F2 x F3 x F4 x F5 x F6)	210 x 166 x 305 x 119 x 75 x 256 mm			210 x 166 x 420 x 145 x 80 x 371 mm		210 x 166 x 500 x 154 x 90 x 440 mm	
Side View Dimensions (S1 x S2 x S3 x S4 x S5)	572 x 472 x 355 x 306 x 52 mm			920 x 668 x 550 x 500 x 52 mm		920 x 740 x 650 x 590 x 52 mm	
Shipping Dimensions	642 x 497 x 212 mm			857 x 564 x 225 mm		1,022 x 687 x 247 mm	

\*Notes: Not all models may be available in your area; check availability with your authorized Ohaus representative. Refer to component specifications for all other technical data.  
Column and wall mount bracket are supplied with scales.

## Outline Dimensions, Scales



OHAUS Europe GmbH  
Im Langacher 44  
8606 Greifensee  
Switzerland

e-mail: [ssc@ohaus.com](mailto:ssc@ohaus.com)  
Tel: 0041 22 567 53 19  
e-mail: [tsc@ohaus.com](mailto:tsc@ohaus.com)  
Tel: 0041 22 567 53 20

[www.ohaus.com](http://www.ohaus.com)

OHAUS Corporation is an ISO  
9001:2008 manufacturer

ISO 9001:2008  
Registered Quality  
Management System

80774267\_G © Copyright OHAUS Corporation

